

QUALED | LED AR111 G53 10.0W-70W 2700-3000K 12/25/40D 675-700lm

- G53 Socket
- 12 V AC/DC
- 30,000 hours Lifetime
- Dimmable
- 88% Energy Saving
- Luminous Flux: 675 lm
- Equivalent to 84W incandescent bulb

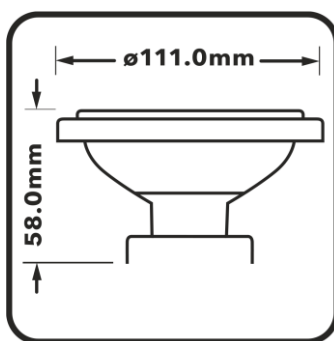
Product Number	52340-52346
General Data	
Lamp Socket	G53
Design	AR111
Electric Data	
Wattage (W)	10.0
Wattage Equivalent (W)	70-84
Voltage (V)	12 V AC/DC
Dimmable	yes
Power Factor	0.90
Operating Frequency (Hz)	50/60
Geometric Data	
Length (mm)	58
Diameter (mm)	111
Weight (g)	90
Photometric Data	
Luminous Flux (lm)	675-700
CRI	90
CCT (K)	2700/3000/4000
Luminous Intensity (cd)	1600-5500
Beam Angle (°)	12/25/40
Luminous Efficacy (lm/W)	69-72
Lifetime (hrs)	30.000
Switching Cycle	100.000
Operating Temperature	-20°C to 40°C



Product image



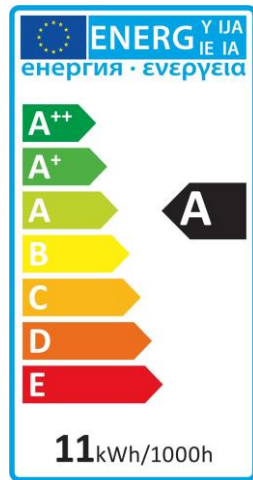
Technical drawing



Application image



Energy Rating



Technical Packaging Details

Package: single

Package: 12

Pack Dimensions (HxWxL)
68 x 125 x 125mm (mm)

Pack Weight
150g (g)

MOQ
1

Carton Dimensions (HxWxL)
225 x 275 x 270mm (mm)

Cartons/Pallet
32

Layers/Pallet
4

Units/Pallet
384



Photometric Diagrams

